

# GET 2024

## MICROWAVE GENERATION

### The Dependable Microwave Source

When it comes to industrial microwave power, Ferrite Microwave Technologies (FMT) delivers with the GET 2024 microwave generator. Around the world hundreds of these generators are used every day to prepare food products for people in Asia, Europe, and North and South America. It's also used extensively for materials processing. What makes this generator extremely popular is the durable design, reliability, safety features, and cooking and tempering performance. It is the basic building block for all of FMT's industrial microwave equipment, which operates at either 929, 915 or 896 MHz.

### A Powerful System

The GET 2024 can be used as a single self-contained microwave power unit to provide power in the 5 kilowatt to 100 kilowatt range. It can also be used in combination with other FMT generators to provide boosting, cooking, and tempering power up to 750 kilowatts.

GET 2024 generators are fully compatible with other FMT industrial microwave equipment.

### Advanced Technology

The power for FMT industrial microwave ovens is supplied by the GET 2024 generator which incorporates the latest in electronic and microwave technology. It is a proven, rugged, and dependable generator that provides reliable and safe operation in all kinds of applications.

Generator control is based on use of a local or remote, via block I/O, Allen-Bradley PLC. Precise control of filament amps based on microwave power ensures maximum tube life based on tube manufacturers average recommendations.



### Warranted for Dependability

Both in- and out-of-warranty service support is provided by FMT Certified field technicians.

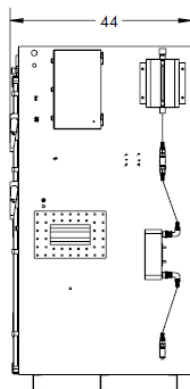
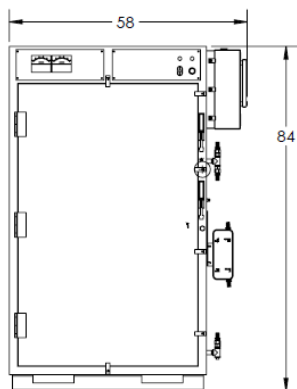
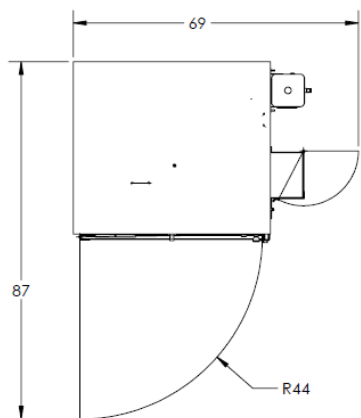


## GET 2024 Highlights

- Permits fast warm-up and low operating cost to save time, energy, and money
- Delivers a powerful 260,000 BTUs per hour to cook or temper meat, fish, poultry, fruit, or bakery items—or for more materials processing
- Provides between 5 kW and 100 kW of power to meet a variety of needs
- Delivers computer controlled precision through an Allen-Bradley Programming Logic Controller (PLC) processor
- Offers increased safety through interlocked access door, and circuit breaker protection for all circuitry
- FMT's system permits management to monitor oven and generator parameters from a remote PC
- Includes a high power circulator that protects the magnetron and includes a sensor to measure reflected power

# GET 2024

## MICROWAVE GENERATION



### Microwave Isolation

Each GET 2024 generator is electrically isolated from the process oven by an integral microwave circulator that helps provide long magnetron tube life. The generator can be located directly adjacent to, above, or below an applicator cavity. Because of the efficiency of FMT's waveguide power transmission, it is possible to install the generator in a remote location.

### Safety

Interlocking access doors on the generators meet all applicable government (OSHA and Health and Human Services) safety standards, and provide the safest operating environment available.

### Generator Controls

All controls for typical generator operation are found on the front of the enclosure, though remote control panel operation is possible. This ensures consistent, uniform, and efficient operation.

### Water Hookups for Cooling System

FMT microwave generators are water cooled through a heat exchanger using city or local water supply. The system includes a one-inch inflow and outflow pipe. Flow rates depend on the temperature of water entering the heat exchanger.

### Specification Details

Electrical Specifications (per Generator):

United States:

#### INPUT LOAD

480 volts, 3 phase, 60 cycle

40 kW—80 amps

50 kW—100 amps

60 kW—125 amps

75 kW—135 amps

KVA Requirement:

40 kW—60 KVA

50 kW—71 KVA

60 kW—86 KVA

65 kW—94 KVA

75 kW—103 KVA

Specifications:

75 kW

915 MHz or 896 MHz

0.9 power factor

3 to 20 gallons per minute cooling water  
(11 to 76 liter per minute)

Magnetron microwave power source

### Radio Frequency Interference

The FMT GET 2024 meets all applicable Federal Communication Commission Standards for electromagnetic interference, as well as Worldwide Standards for Safety.

Temper to F/C	Water Flow (gpm/lpm)	
40 degrees F/4	3	11
50 degrees F/10	4	15
60 degrees F/16	5	19
70 degrees F/21	8	30
80 degrees F/27	10	38

# Ferrite

## Microwave Technologies

High Power Microwave Systems and Technology

Ferrite Microwave Technologies  
104 Perimeter Road, Nashua, NH 03060  
Phone: (+1) 603-881-5234

www.ferriteinc.com | www.industrialmicrowavesystems.com

Export: FMT provides many other configurations for worldwide use. Specifications available on request.